



CABLE 131 RF: RF CABLE ASSEMBLY, HIROSE U.FL + TNC STRAIGHT BULKHEAD JACK WITH O-RING + 1.37MM CABLE

SPECIFICATIONS :

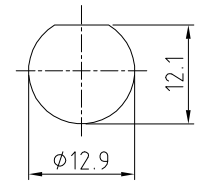
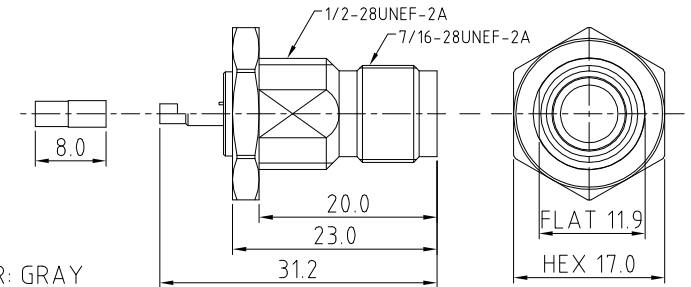
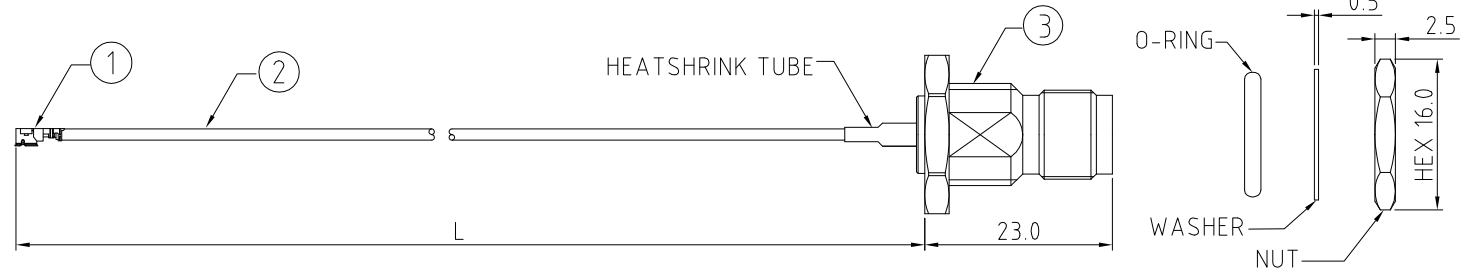
1. HIROSE U.FL PLUG (U.FL-LP-088)
2. SEE CABLE SIZE OPTIONS.
3. TNC STRAIGHT BULKHEAD JACK WITH O-RING (C18CDWS178003C)

NOTES:

1. THE ORIENTATION OF CONNECTORS ON DRAWING IS FOR REFERENCE ONLY, IF THE ORDER IS LEFT BLANK THE CONNECTOR WILL NOT HAVE FIXED ORIENTATION.
2. FIXED ORIENTATION IS SUGGESTED FOR CABLE LENGTH 25MM TO 100MM. PLEASE SPECIFY THE FIXED ORIENTATIONS FROM THE ORDER CODE (F1, F2, ETC)
3. CONTACT GRAD CONN IF THE ORIENTATION YOU REQUIRE IS NOT SHOWN.
4. WORKING FREQUENCY RANGE: DC-3GHz

USAGE PRECAUTIONS: CABLES USING 'MICRO' COAX ARE DELICATE:

- (i) HANDLE WITH CARE.
- (ii) DO NOT TWIST; APPLY EXCESSIVE FORCES OR SHARP BENDS TO THE CABLE. DO NOT FORCEFULLY DEFORM WIRES.
- (iii) CONSULT CONNECTOR MANUFACTURER'S DATASHEETS FOR DETAILED NOTES ON HANDLING INSTRUCTIONS.



HOW TO ORDER

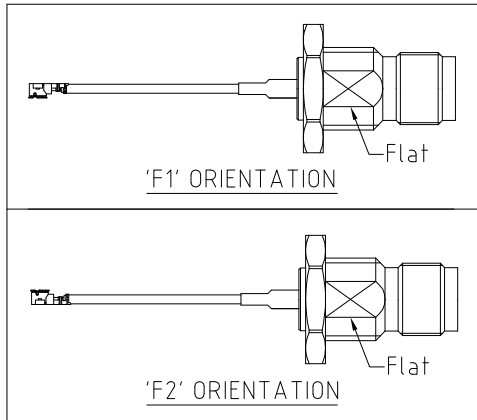
CABLE 131 RF - X X X - X - XX - X

"L" LENGTH IN MM
 eg: 100MM = 100
 (MIN. 025-MAX.400)
 STANDARD = 100, 150, 200)
 Tolerance: <50mm : ±2mm.
 51-200mm: ±5mm.
 201-400mm: ±7mm.

CABLE SIZE OPTIONS:
 1 = Ø1.37MM CABLE, COLOR: GRAY
 2 = Ø1.37MM CABLE, COLOR: BLACK

BLANK = DOES NOT HAVE A FIXED ORIENTATION
 F1 = U.FL CONNECTION DOWN (L=25-200MM)
 F2 = U.FL CONNECTION UP (L=25-200MM)
 (SEE NOTES 1, 2, 3 AND DIAGRAMS FOR MORE INFORMATION)

WASHER AND NUT OPTIONS:
 BLANK = SEPERATELY PACKED (STANDARD)
 A = ASSEMBLED WITH CONNECTOR



TNC DETAIL DRAWING

RECOMMENDED TNC MOUNTING HOLE

REV. DATE & DRN
 10 08/17/11 - NYW RELEASE
 11 08/06/14 - NYW REMOVE 1.13 CABLE, ADD 1.37 CABLE OPTION.
 12 08/06/17 - NYW AMEND TNC MOUNTING HOLE SIZE.
 13 22/06/17 - NYW AMEND CABLE OPTION 2.

Scale: NTS	THIRD ANGLE	Unstated X .XX .XXX ANGLES	Tolerances: ±0.2 ±0.1 ±0.05 ±5	Material: SEE NOTE
Drawn: NYW				
App'd: XXX	Title: CABLE ASSEMBLY	NOT TO SCALE		
Date: 22 JUN '17	Revision: 13	Unit: mm		

THIS DRAWING IS CONFIDENTIAL AND MUST NOT BE COPIED OR DISCLOSED WITHOUT WRITTEN CONSENT

Type: Cable 131 RF
CABLE 131 RF
Drawing Number:
Sheet 1 of 1
Drawing © E and O E